

ILLUSTRATED PARTS BREAKDOWN

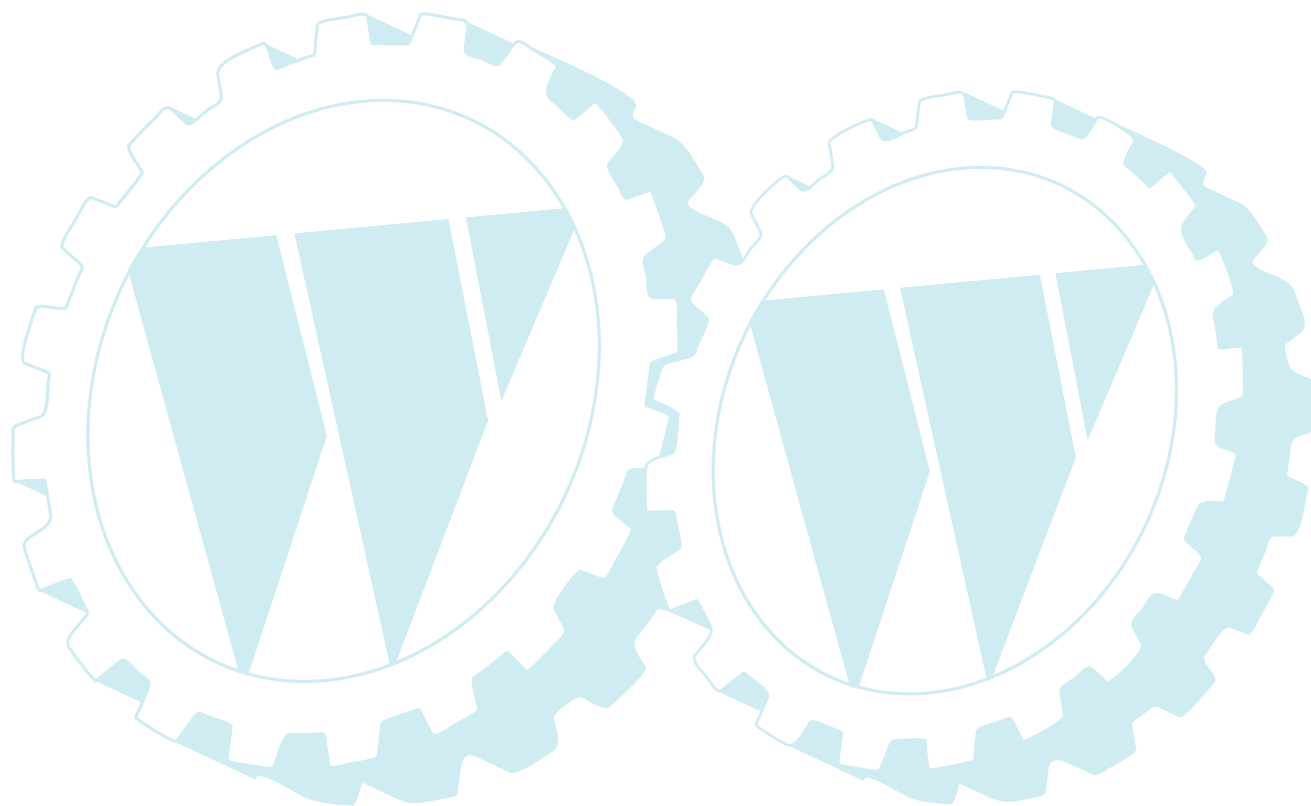
PARTNER

11.0 HP 36" MOWER DECK

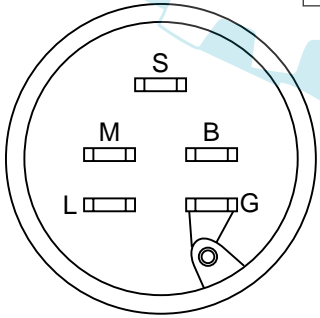
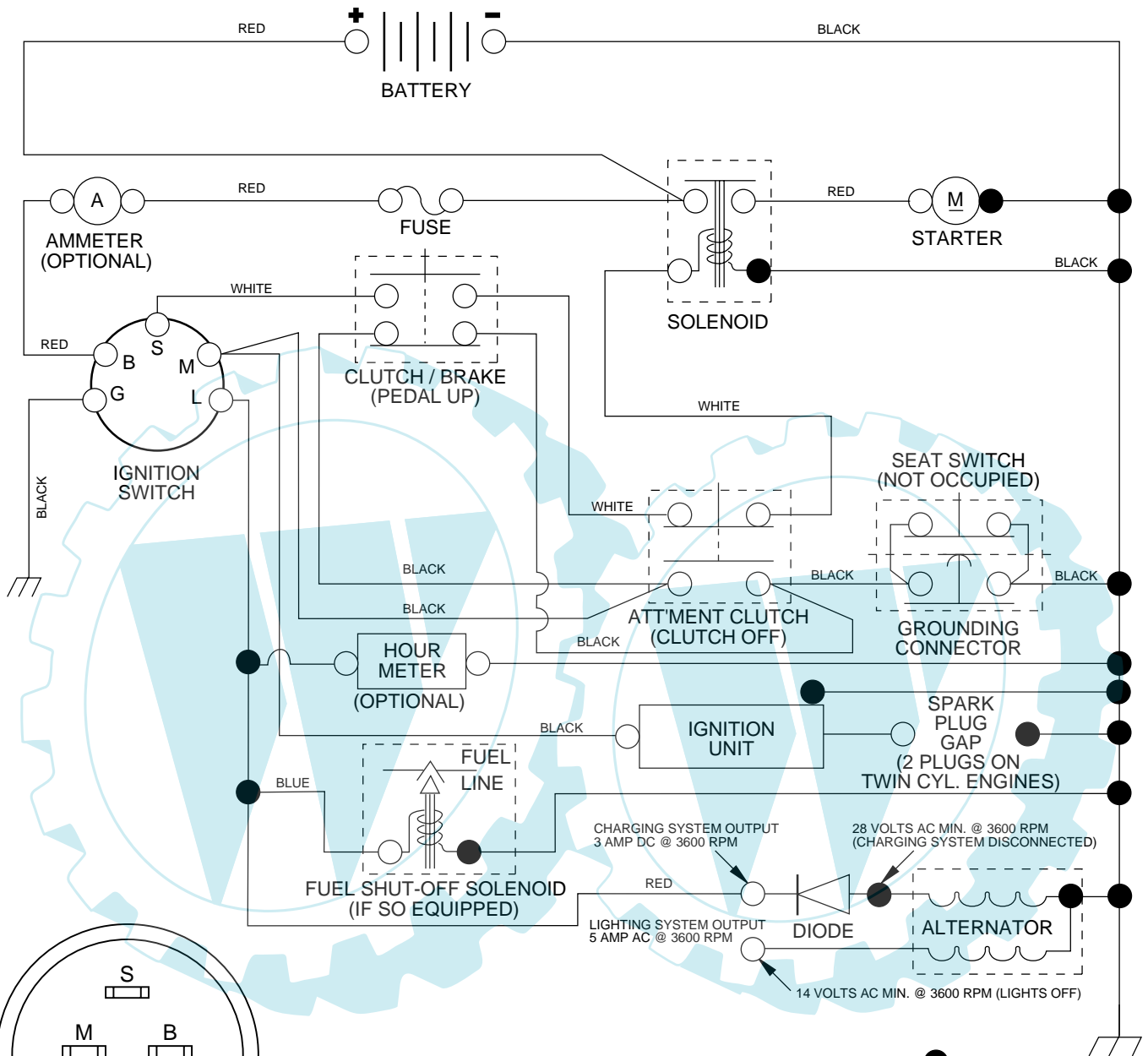
LAWN TRACTOR

MODEL NO. 11-92 (P1192A)

964 77 69-00



TRACTOR- -MODEL NO. 11-92 (P1192A) PRODUCT NO. 964 77 69-00
SCHEMATIC



IGNITION SWITCH

POSITION	CIRCUIT
OFF	M + G
ON	B + L
START	B + S + L

WIRING INSULATED CLIPS

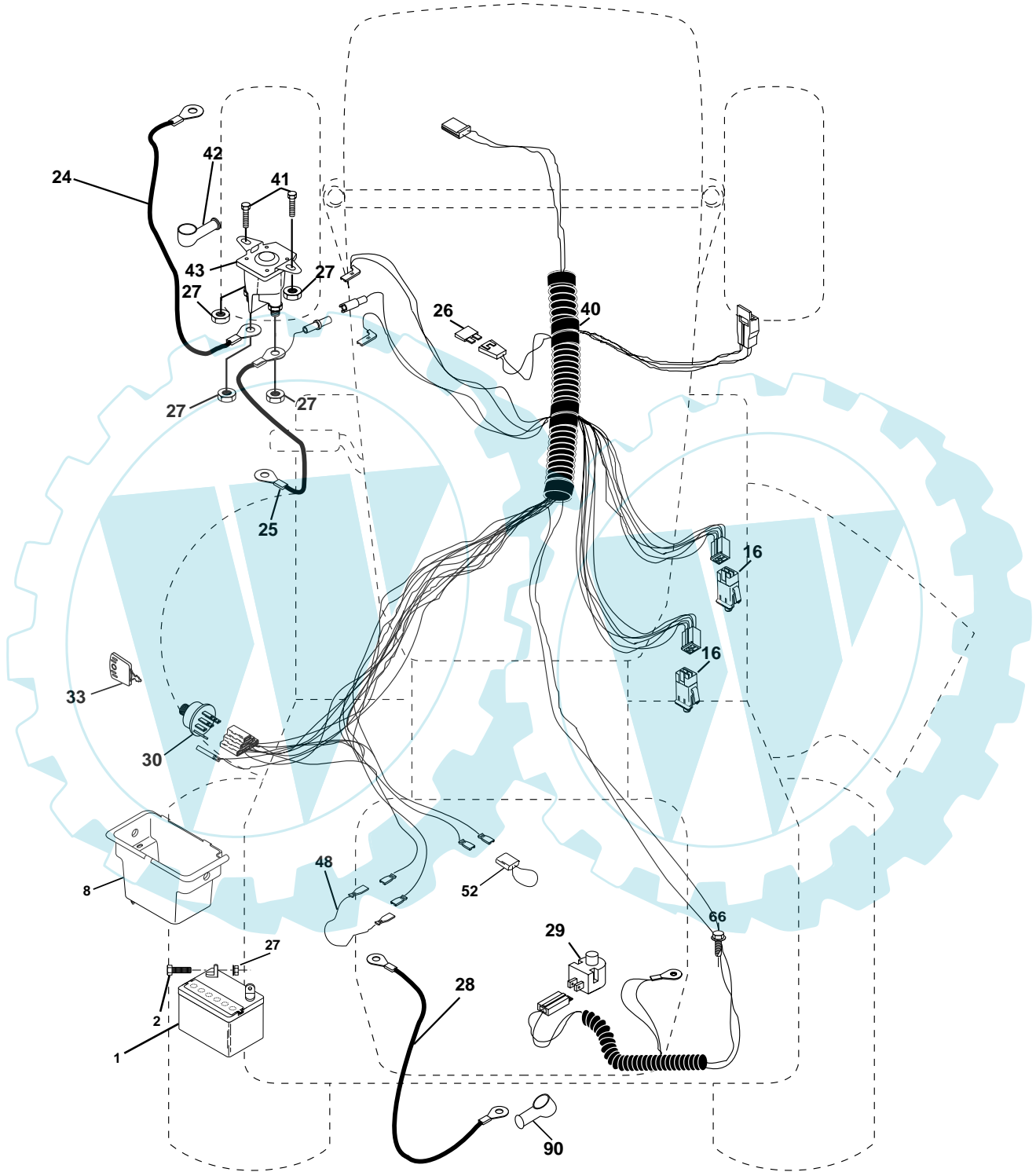
NOTE: IF WIRING INSULATED CLIPS WERE REMOVED FOR SERVICING OF UNIT, THEY SHOULD BE REPLACED TO PROPERLY SECURE YOUR WIRING.

●
NON-REMOVABLE CONNECTIONS

○
REMOVABLE CONNECTIONS

REPAIR PARTS

TRACTOR- -MODEL NO. 11-92 (P1192A) PRODUCT NO. 964 77 69-00
ELECTRICAL



REPAIR PARTS

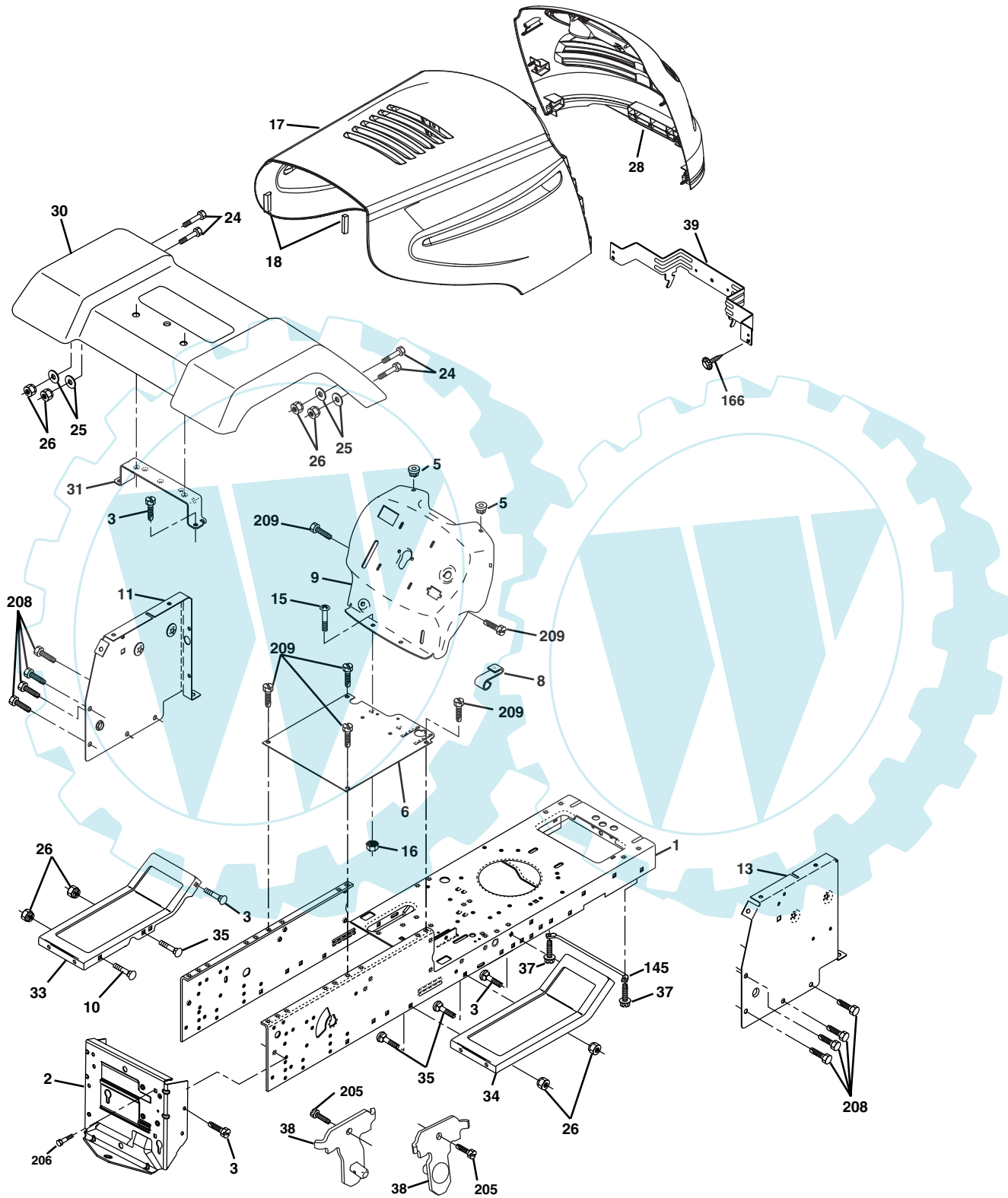
TRACTOR- -MODEL NO. 11-92 (P1192A) PRODUCT NO. 964 77 69-00
ELECTRICAL

KEY NO.	PART NO.	DESCRIPTION
1	532 16 34-65	Battery
2	874 76 04-12	Bolt Hex Hd 1/4-20unc X 3/4
8	532 17 66-89	Box Battery Fender
16	532 17 61-38	Switch Interlock
24	532 12 47-80	Cable Battery 6 Ga 11" Red
25	532 14 61-47	Cable Battery 6 Ga Red w/16 wir
26	532 17 51-58	Fuse
27	873 51 04-00	Nut Keps Hex 1/4-20 Unc
28	532 12 47-73	Cable Ground 6 Ga 12" black
29	532 12 13-05	Switch Plunger Nc Gray
30	532 17 55-67	Switch Ign
33	532 14 04-01	Key
40	532 17 97-30	Harness Ing
41	871 11 04-08	Bolt Blk Fin Hex 1/4 - 20 x 1/2
42	532 13 15-63	Cover Terminal Red
43	532 17 88-61	Solenoid
48	532 14 08-44	Adapter Ammeter Rectangular
52	532 14 19-40	Protection Wire Loop
90	532 18 04-49	Cover Terminal Battery

NOTE: All component dimensions given in U.S. inches.
1 inch = 25.4 mm.

REPAIR PARTS

TRACTOR- -MODEL NO. 11-92 (P1192A) PRODUCT NO. 964 77 69-00
CHASSIS



REPAIR PARTS

TRACTOR- -MODEL NO. 11-92 (P1192A) PRODUCT NO. 964 77 69-00
CHASSIS

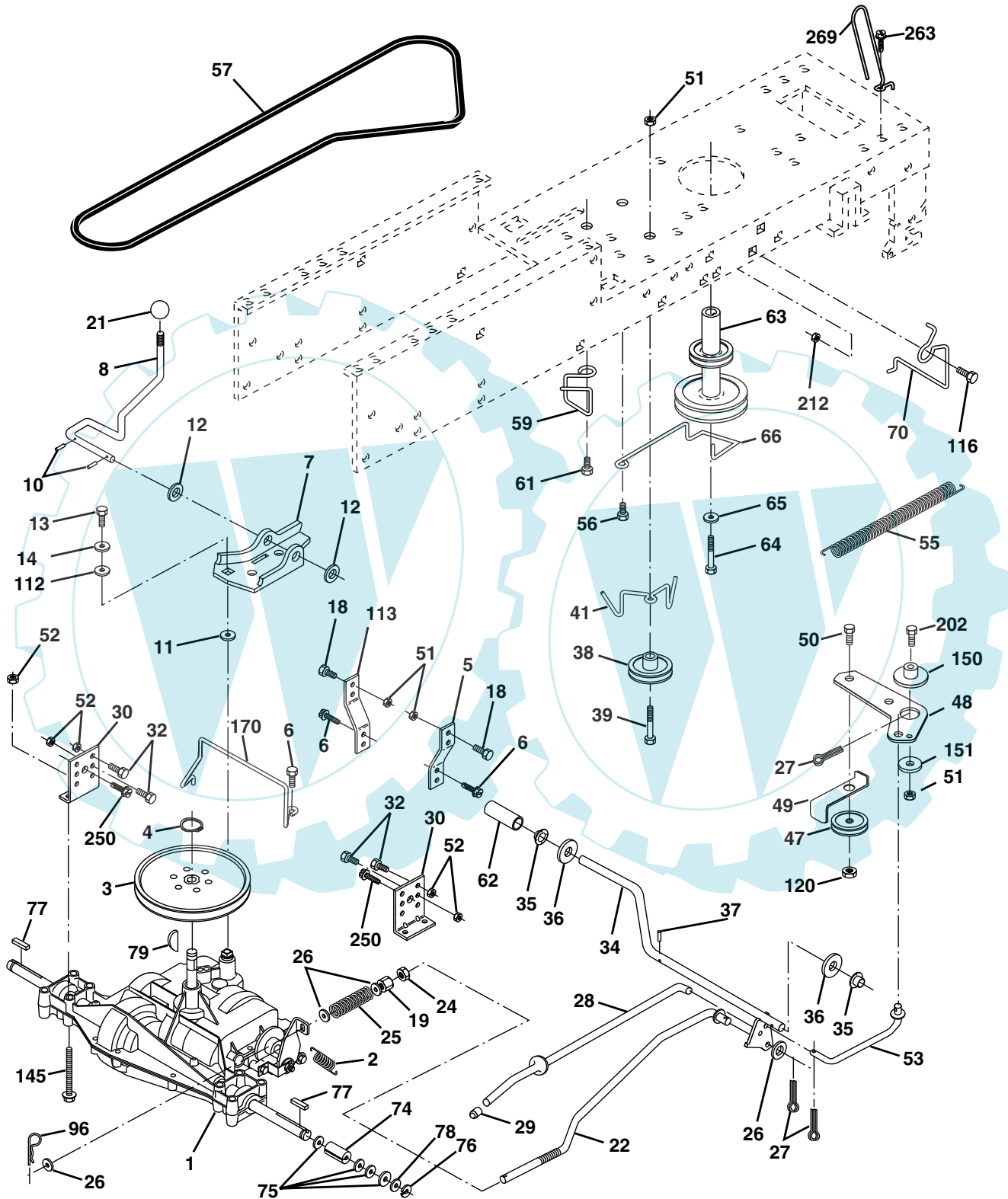
KEY NO.	PART NO.	DESCRIPTION
1	532 17 46-20	Chassis
2	532 17 65-54	Drawbar
3	817 06 06-12	Screw 3/8-16 x 3/4
5	532 15 52-72	BumperHood/Dash
6	532 18 12-71	Saddle
8	532 15 51-38	Clip, Retainer Slide-On
9	532 18 54-80	Dash
10	872 14 06-08	Bolt, Carriage 3/8-16 x 1
11	532 17 49-96	Dashboard, Panel LH
13	532 18 17-19	Dashboard, Panel RH
15	874 18 05-12	Machine screw 5/16-18 unc x 3/4
16	873 51 05-00	Nut, Keps 5/16-18 Unc
17	532 18 58-45	Hood Pnt
18	532 18 49-21	BumperHood
24	874 78 06-16	Bolt, Hex Head, Fin. 3/8-16 x 1 Grade 5
25	819 13 13-12	Washer 13/32 x 13/16 x12 Gauge
26	873 80 06-00	Nut Lock Hex w/Ins. 3/8-16 Unc
28	532 18 58-60	Grille
30	532 18 12-72	Fender
31	532 13 66-19	Fender Bracket
33	532 18 10-57	Footrest, LH
34	532 18 10-58	Footrest, RH
35	872 11 06-06	Bolt 3/8-16 X 3/4
37	817 49 05-08	Screw Thdrol 5/16-18 x 1/2
38	532 17 57-10	Bracket Asm. Pivot Mower Rear
39	532 17 47-14	Bracket Pivot Laser/Elite
145	532 15 65-24	Rod Pivot Chassis/Hood
166	532 17 18-75	Screw HwHd Hi-Lo #13-16 x 3/4
205	817 49 06-08	Screw Thdrol 3/8-16 x 1/2
206	532 17 01-65	Bolt Shoulder 5/16-18 TT
208	817 67 06-08	Screw Thdrol 3/8-16 x 1/2
209	817 00 06-12	Screw Hexwsh Thdr 3/8-16 x 3/4
--	532 00 54-79	Button Plug

NOTE: All component dimensions given in U.S. inches.
1 inch = 25.4 mm.

REPAIR PARTS

TRACTOR- -MODEL NO. 11-92 (P1192A) PRODUCT NO. 964 77 69-00

DRIVE



REPAIR PARTS

TRACTOR- -MODEL NO. 11-92 (P1192A) PRODUCT NO. 964 77 69-00

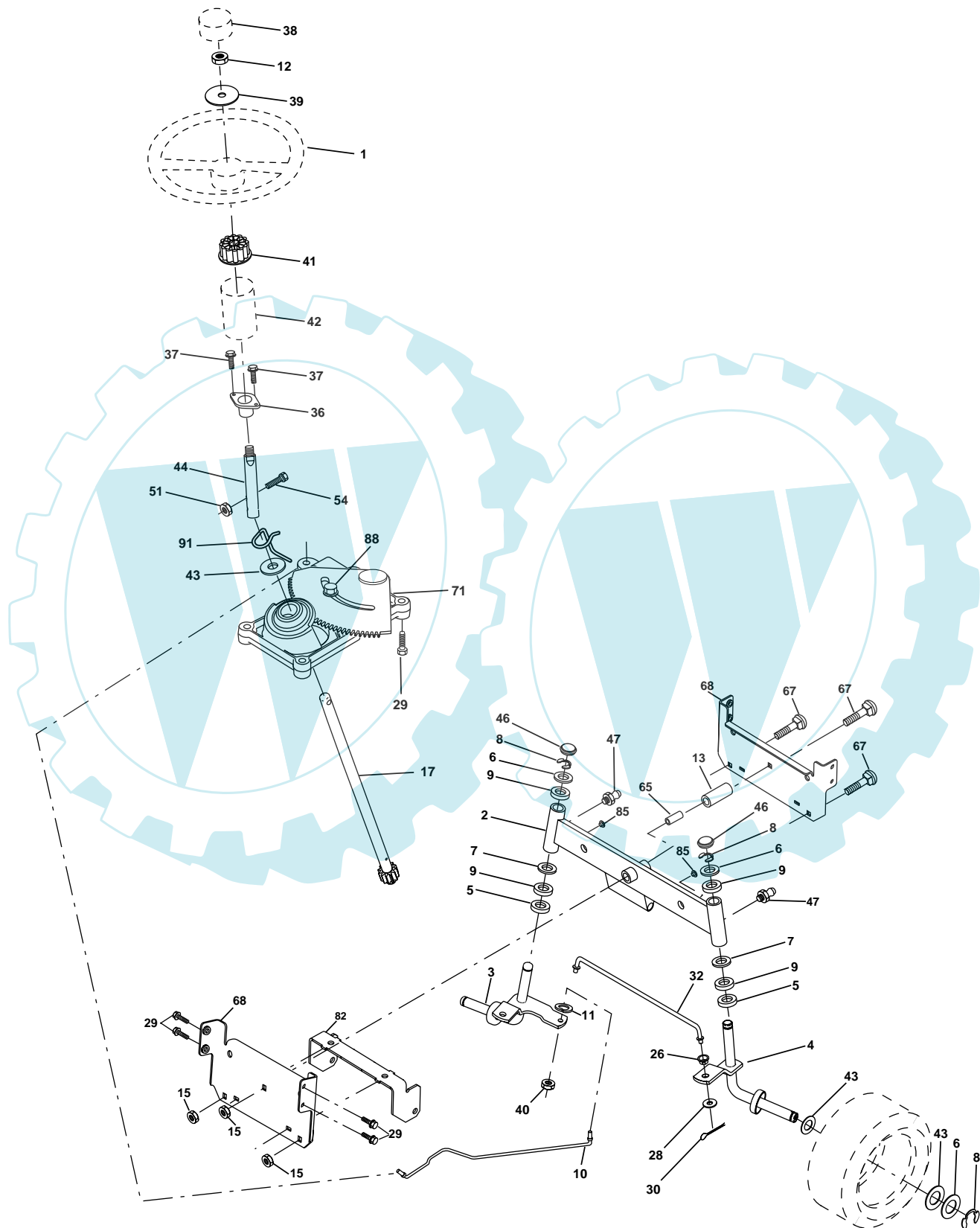
DRIVE

KEY NO.	PART NO.	DESCRIPTION	KEY NO.	PART NO.	DESCRIPTION
1	-----	Transaxle (See Breakdown) Peerless, Model 204-506B Order parts from transaxle manufacturer	49	532 12 32-05	Retainer, Belt
2	532 14 66-82	Spring, Brake Return	50	872 11 06-12	Bolt, Carr. Sh 3/8-16 x 1-1/2 Gr. 5
3	532 12 36-66	Pulley, Transaxle	51	873 68 06-00	Nut, Crownlock 3/8-16
4	812 00 00-28	Ring, Retainer	52	873 68 05-00	Nut, Crownlock 5/16-18
5	532 12 15-20	Strap, Torque	53	532 10 57-10	Link, Clutch
6	817 06 05-12	Screw, 5/16-18 x 3/4 SMGML	55	532 10 57-09	Spring, Return, Clutch
7	532 16 22-40	Bracket, T/A, Saddle Shift	56	817 06 06-20	Screw 3/8-16 x 1-1/4
8	532 13 16-79	Rod, Shifter	57	532 13 08-01	V-Belt, Drive
10	876 02 04-16	Pin, Cotter 1/8 x 1	59	532 16 96-91	Keeper Belt Center Span
11	532 10 57-01	Washer, Shift Plate	61	817 12 06-14	Screw 3/8-16 x .875
12	819 15 12-16	Washer 15/32 x 3/4 x 16	62	532 12 48-72	Cover, Foot Pedal
13	874 55 04-12	Bolt 1/4-28 UNF Gr. 8 w/Patch	63	532 18 02-19	Pulley, Engine
14	810 04 04-00	Washer Lock	64	871 17 07-64	Bolt, Hex 7/16-20 x 4 Gr. 5
18	874 78 06-16	Bolt, Fin Hex 3/8-16 Unc x 1 Gr. 5	65	810 04 07-00	Washer, Lock Hvy Hlcl Spr 7/16
19	873 80 06-00	Locknut 3/8-16	66	532 15 47-78	Keeper, Belt Engine F-Proof
21	532 10 69-33	Knob	70	532 18 02-18	Guide Belt Mower Drive RH
22	532 13 08-04	Rod, Brake	74	532 13 70-57	Spacer, Split
24	873 35 06-00	Nut, Hex Jam 3/8-16	75	532 12 17-49	Washer 25/32 x 1-1/4 x 16 Ga.
25	532 10 68-88	Spring, Rod, Brake	76	812 00 00-01	E-Ring
26	819 13 13-16	Washer 13/32 x 13/16 x 16 Gauge	77	532 12 35-83	Key Square
27	876 02 04-12	Pin, Cotter 1/8 x 3/4	78	5321217-48	Washer 25/32 x 1-5/8 x 16 Ga.
28	532 17 57-65	Rod, Brake, Park	79	532 12 50-96	Key Woodruff #9 3/16 x 3/4
29	532 07 16-73	Cap, Plunger	96	532 12 47-80	Retainer Spring 1" Ziinc/Cad
30	532 17 49-73	Bracket, Transaxle, L.H.	112	819 09 12-10	Washer 9/32 x 3/4 x 10 Ga.
32	874 76 05-12	Bolt Hex Hd 5/16-18 UNC x 3/4	113	532 12 72-85	Strap Torque L.H. Lt
34	532 17 55-78	Shaft, Foot Pedal	116	872 14 06-08	Bolt RDHD SQNK 3/8-16unc x 1
35	532 12 01-83	Bearing Nylon	120	873 90 06-00	Nut Lock Flg. 3/8-16 Unc
36	819 21 16-16	Washer 21/32 x 1 x 16 Gauge	145	874 49 05-40	Bolt, Hex FlgHd 5/16-18 Gr. 5
37	532 12 49-63	Pin, Roll 3/16 x 1	150	532 17 54-56	SpacerRetainer
38	532 17 91-14	Pulley Idler	151	819 13 32-10	Washer 13/32 x 2 x 10 Ga.
39	874 76 06-48	Bolt Fin Hex 3/8-16unc x 3	170	532 17 83-94	Keeper, Belt, Transaxle
41	532 17 55-56	Keeper, Belt	202	872 11 06-14	Bolt Carr Sh 3/8-16 x 1-3/4 Gr. 5
47	532 12 77-83	Pulley, Idler	212	532 14 52-12	Nut Hex Flange Lock
48	532 15 44-07	Bellcrank Asm Clutch	250	817 06 06-12	Screw, 3/8-16 x 3/4 SMGML
			263	532 18 24-02	Guard Muffler
			269	817 00 06-12	Screw Hxwsh Thdrol 3/8-16 x 3/4

NOTE: All component dimensions given in U.S. inches
1 inch = 25.4 mm

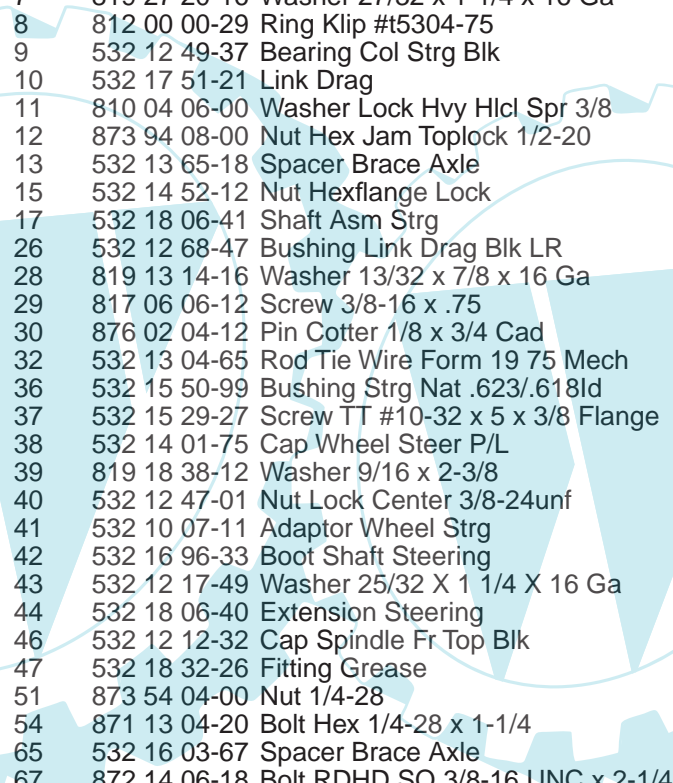
REPAIR PARTS

TRACTOR- -MODEL NO. 11-92 (P1192A) PRODUCT NO. 964 77 69-00
STEERING ASSEMBLY



REPAIR PARTS

TRACTOR- -MODEL NO. 11-92 (P1192A) PRODUCT NO. 964 77 69-00
STEERING ASSEMBLY

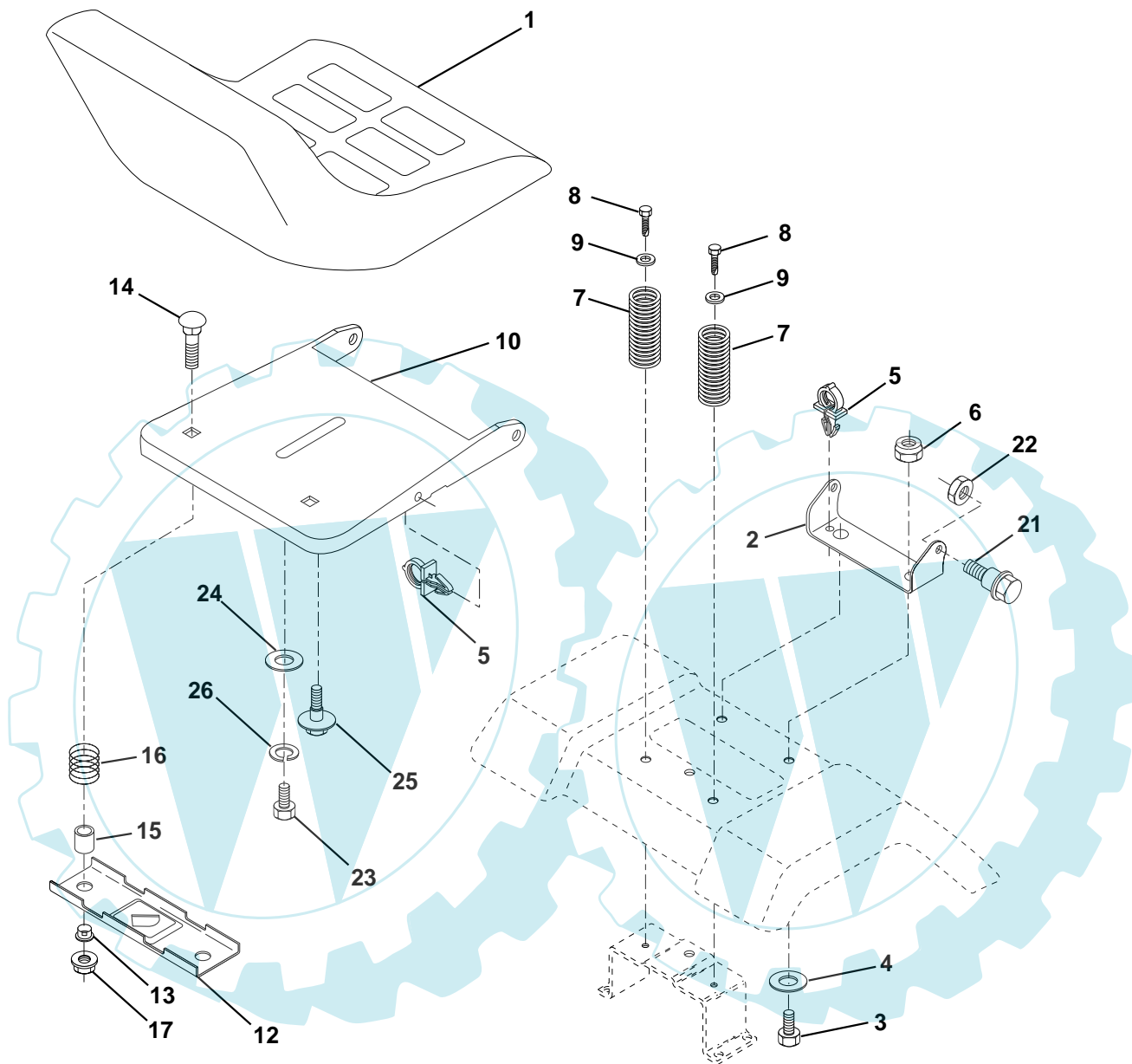


KEY NO.	PART NO.	DESCRIPTION
1	532 13 97-68	Wheel Steering Opp. Sears Blk
2	532 17 51-31	Axle Asm
3	532 16 98-40	Spindle Asm LH
4	532 16 98-39	Spindle Asm RH
5	5321249-31	Bearing Race Thrust Harden
6	532 12 17-48	Washer 25/32 x 1-5/8 x 16 Ga
7	819 27 20-16	Washer 27/32 x 1-1/4 x 16 Ga
8	812 00 00-29	Ring Klip #t5304-75
9	532 12 49-37	Bearing Col Strg Blk
10	532 17 51-21	Link Drag
11	810 04 06-00	Washer Lock Hvy Hlcl Spr 3/8
12	873 94 08-00	Nut Hex Jam Toplock 1/2-20
13	532 13 65-18	Spacer Brace Axle
15	532 14 52-12	Nut Hexflange Lock
17	532 18 06-41	Shaft Asm Strg
26	532 12 68-47	Bushing Link Drag Blk LR
28	819 13 14-16	Washer 13/32 x 7/8 x 16 Ga
29	817 06 06-12	Screw 3/8-16 x .75
30	876 02 04-12	Pin Cotter 1/8 x 3/4 Cad
32	532 13 04-65	Rod Tie Wire Form 19 75 Mech
36	532 15 50-99	Bushing Strg Nat .623/.618ld
37	532 15 29-27	Screw TT #10-32 x 5 x 3/8 Flange
38	532 14 01-75	Cap Wheel Steer P/L
39	819 18 38-12	Washer 9/16 x 2-3/8
40	532 12 47-01	Nut Lock Center 3/8-24unf
41	532 10 07-11	Adaptor Wheel Strg
42	532 16 96-33	Boot Shaft Steering
43	532 12 17-49	Washer 25/32 X 1 1/4 X 16 Ga
44	532 18 06-40	Extension Steering
46	532 12 12-32	Cap Spindle Fr Top Blk
47	532 18 32-26	Fitting Grease
51	873 54 04-00	Nut 1/4-28
54	871 13 04-20	Bolt Hex 1/4-28 x 1-1/4
65	532 16 03-67	Spacer Brace Axle
67	872 14 06-18	Bolt RDHD SQ 3/8-16 UNC x 2-1/4
68	532 16 98-27	Brace Axle
71	532 17 51-46	Steering Asm
82	532 16 98-35	Bracket Susp. Chassis Front
85	532 13 38-35	Fastener Christmas Tree
88	532 17 51-18	Bolt Shoulder 7/16-20
91	532 17 55-53	Cup Steering

NOTE: All component dimensions given in U.S. inches.
1 inch = 25.4 mm.

REPAIR PARTS

TRACTOR- -MODEL NO. 11-92 (P1192A) PRODUCT NO. 964 77 69-00
SEAT ASSEMBLY



KEY NO.	PART NO.	DESCRIPTION
1	532 17 53-89	Seat
2	532 14 05-51	Bracket Pivot Seat 8 720
3	871 11 06-16	Bolt Fin Hex 3/8-16unc x 1
4	819 13 16-10	Washer 13/32 x 1 x 10 Ga
5	532 14 50-06	Clip Push-In
6	873 80 06-00	Nut Lock Hex w/Wsh 3/8-16 Unc
7	532 12 41-81	Spring Seat Cprsn 2 250 Blk Zi
8	817 00 06-16	Screw 3/8-16 x 1.5
9	819 13 16-14	Washer 13/32 x 1 x 14 Ga.
10	532 18 24-93	Pan Seat
12	532 12 12-46	Bracket Mounting Switch
13	532 12 12-48	Bushing Snap Blk Nyl 50 Id
14	872 05 04-12	Bolt Rdhd Sht Nk 1/4-20 x 1-1/2

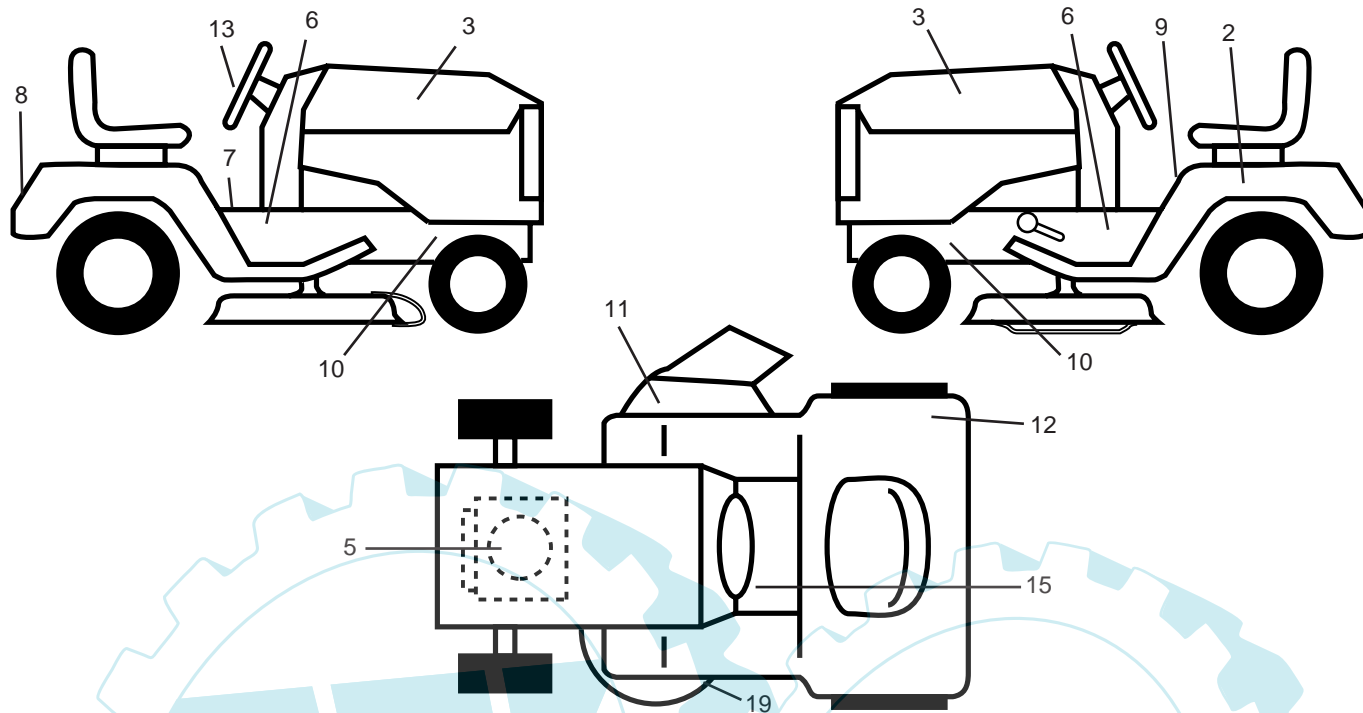
KEY NO.	PART NO.	DESCRIPTION
15	532 13 43-00	Spacer Split 28 x 96 Yel Zinc
16	532 12 12-50	Spring Cprsn 1 27 Blk Pnt
17	532 12 39-76	Nut Lock 1/4 Lge Flg Gr 5 Zinc
21	532 17 18-52	Bolt Shoulder 5/16-18 Unc -2A
22	873 80 05-00	Nut Lock Hex W/Insert 5/16-18 UNC
23	871 11 08-14	Bolt Hex
24	819 17 19-12	Washer 17/32 x 1-3/16 x 12 Ga.
25	532 12 70-18	Bolt Shoulder 5/16-18 x 62
26	810 04 08-00	Washer Lock Hvy HLCLSPR 1/2

NOTE: All component dimensions given in U.S. inches.
1 inch = 25.4 mm

REPAIR PARTS

TRACTOR- -MODEL NO. 11-92 (P1192A) PRODUCT NO. 964 77 69-00

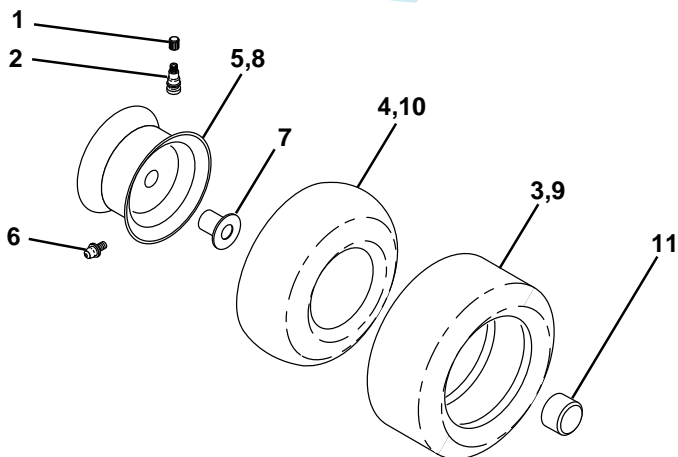
DECALS



KEY NO.	PART NO.	DESCRIPTION
2	532 14 50-05	Decal Bat Dan/Poi P/L Symbols
3	532 18 56-46	Decal Hood
5	532 18 47-64	Decal Engine
6	532 18 56-51	Decal Chas. Turbo Collection
7	532 14 08-37	Decal Saddle Brake Parking
8	532 18 56-48	Decal Fender Logo
9	532 14 54-98	Decal Read Owners Manual Syms
10	532 15 97-36	Decal Chassis Hot Muffler

KEY NO.	PART NO.	DESCRIPTION
11	532 18 21-66	Decal Mower Cut finger Symbol
12	532 18 04-32	Decal 100 DbA
13	532 18 56-47	Decal Strg Wheel Cap
15	532 15 97-37	Decal Brake/Clutch
19	532 13 68-32	Decal V-Belt Sch
--	532 16 25-98	Decal Drawbar Load Limit
--	532 13 83-11	Decal Lift Handle (Lift Handle)
--	532 18 51-49	Manual Operator's Euro
--	532 18 52-38	Manual Operator's Scan

WHEELS & TIRES

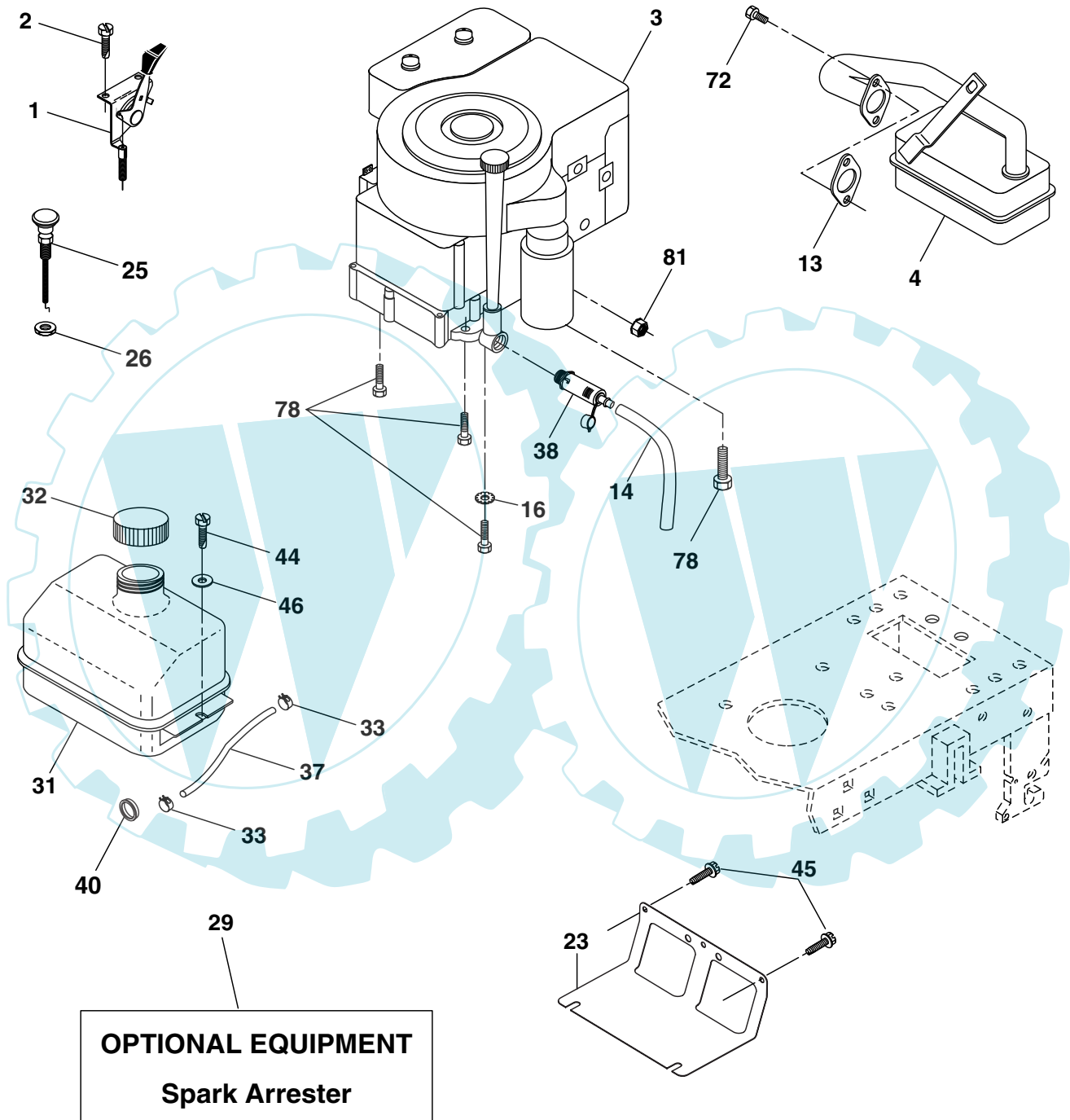


KEY NO.	PART NO.	DESCRIPTION
1	532 05 91-92	Cap Valve Tire
2	532 06 51-39	Stem Valve
3	532 13 74-22	Tire F Ts 15 X 6 - 6 Service
4	532 05 99-04	Tube Front (Service Item Only)
5	532 14 14-72	Rim Asm 6" front Service
6	532 12 49-57	Fitting Grease (Front Wheel Only)
7	532 12 49-59	Bearing Flange (Front Wheel Only)
8	532 14 12-68	Rim Asm 8" rear Service
9	532 13 27-03	Tire R Ts 18 x 8.5-8 C. Service
10	532 12 49-26	Tube Rear (Service Item Only)
11	532 17 50-39	Cap Axle Blk 1 50 X 1 00

NOTE: All component dimensions given in U.S. inches
1 inch = 25.4 mm

REPAIR PARTS

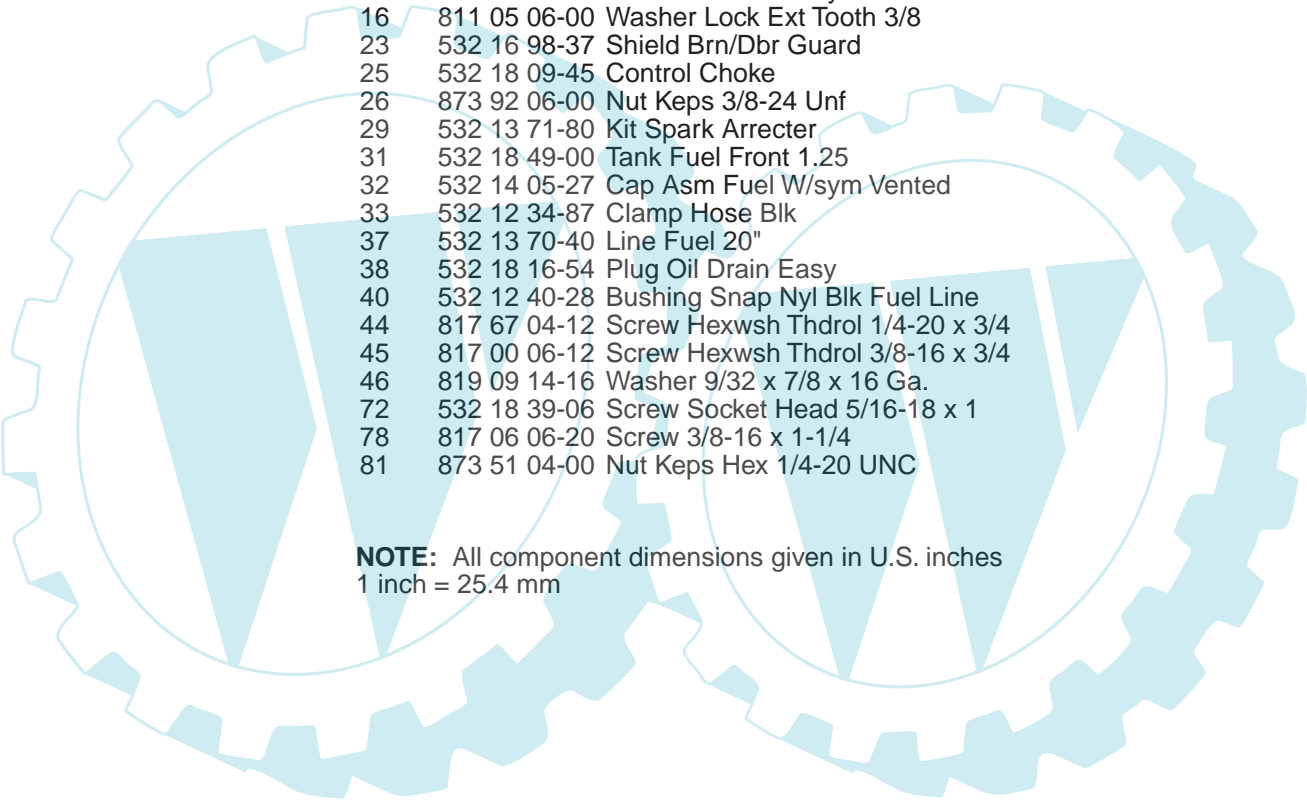
TRACTOR- -MODEL NO. 11-92 (P1192A) PRODUCT NO. 964 77 69-00
ENIGNE



REPAIR PARTS

TRACTOR- -MODEL NO. 11-92 (P1192A) PRODUCT NO. 964 77 69-00

ENIGNE

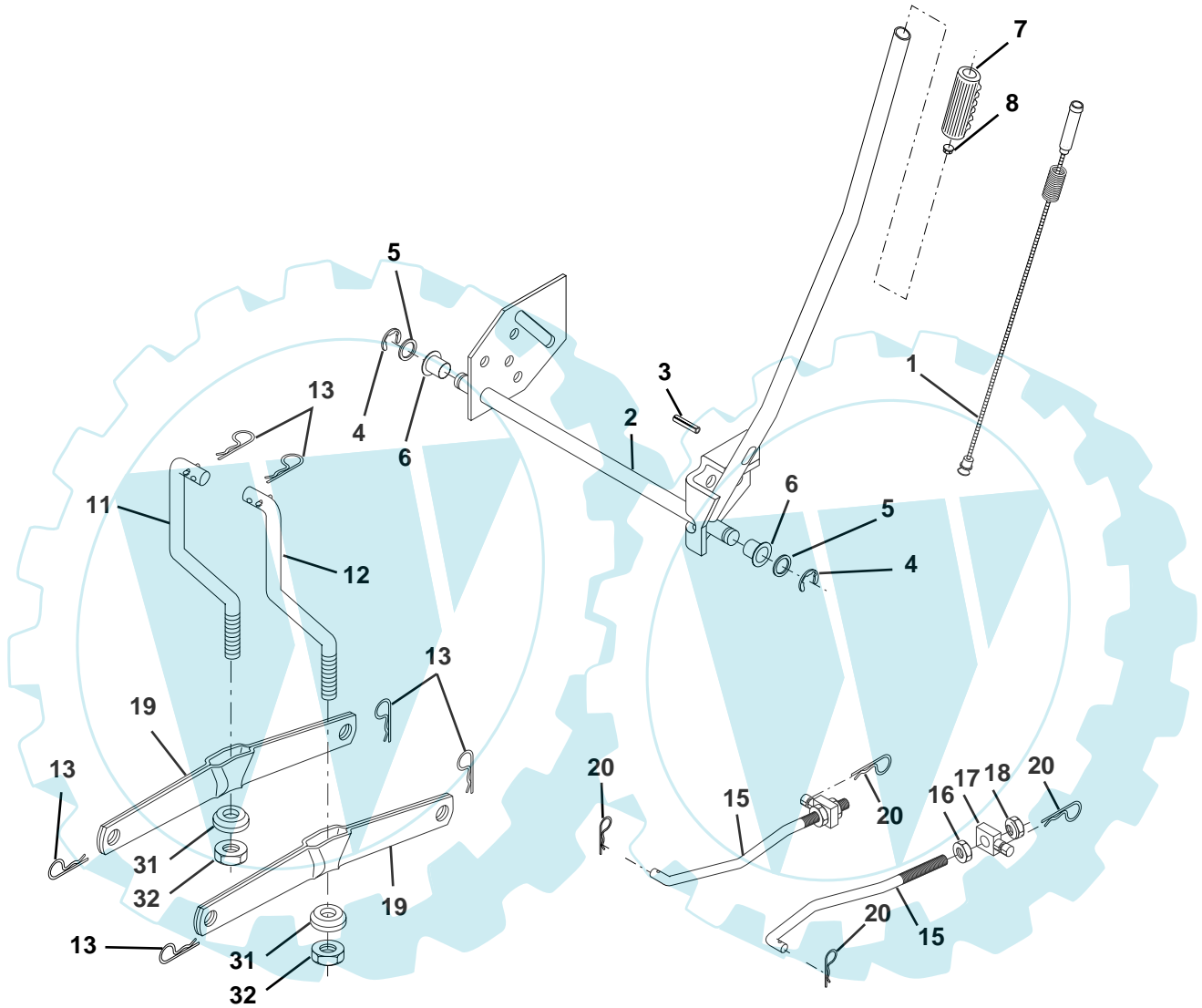


KEY NO.	PART NO.	DESCRIPTION
1	532 17 05-51	Control Th/ch Flag
2	817 72 04-08	Screw Hex Thd Cut 1/4-20 x 1/2
3	-----	Engine B&S Model No. 21A807 (Order parts from engine manufacturer)
4	532 17 97-58	Muffler
13	532 16 52-91	Gasket Eng
14	532 14 84-56	Tube Drain Oil Easy
16	811 05 06-00	Washer Lock Ext Tooth 3/8
23	532 16 98-37	Shield Brn/Dbr Guard
25	532 18 09-45	Control Choke
26	873 92 06-00	Nut Keps 3/8-24 Unf
29	532 13 71-80	Kit Spark Arrecter
31	532 18 49-00	Tank Fuel Front 1.25
32	532 14 05-27	Cap Asm Fuel W/sym Vented
33	532 12 34-87	Clamp Hose Blk
37	532 13 70-40	Line Fuel 20"
38	532 18 16-54	Plug Oil Drain Easy
40	532 12 40-28	Bushing Snap Nyl Blk Fuel Line
44	817 67 04-12	Screw Hexwsh Thdrol 1/4-20 x 3/4
45	817 00 06-12	Screw Hexwsh Thdrol 3/8-16 x 3/4
46	819 09 14-16	Washer 9/32 x 7/8 x 16 Ga.
72	532 18 39-06	Screw Socket Head 5/16-18 x 1
78	817 06 06-20	Screw 3/8-16 x 1-1/4
81	873 51 04-00	Nut Keps Hex 1/4-20 UNC

NOTE: All component dimensions given in U.S. inches
1 inch = 25.4 mm

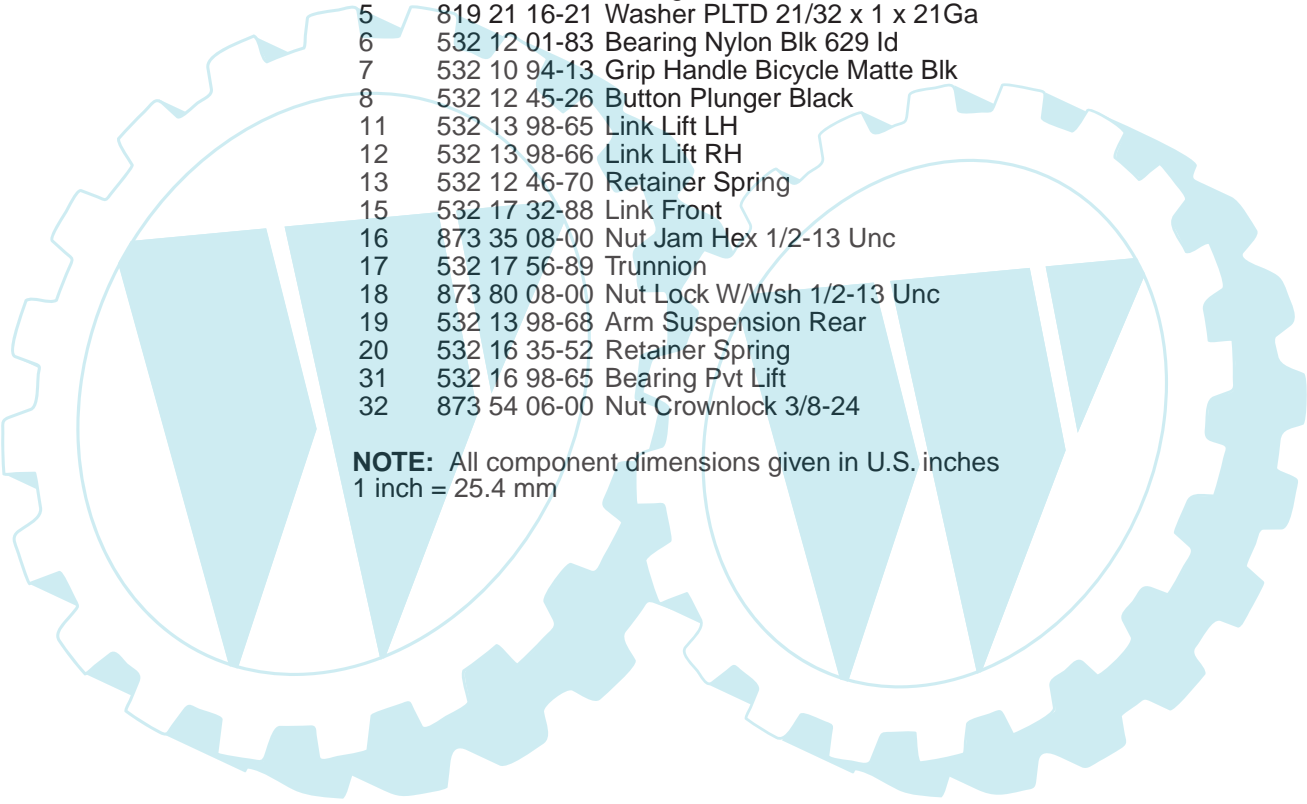
REPAIR PARTS

TRACTOR- -MODEL NO. 11-92 (P1192A) PRODUCT NO. 964 77 69-00
MOWER LIFT



REPAIR PARTS

TRACTOR- -MODEL NO. 11-92 (P1192A) PRODUCT NO. 964 77 69-00
MOWER LIFT

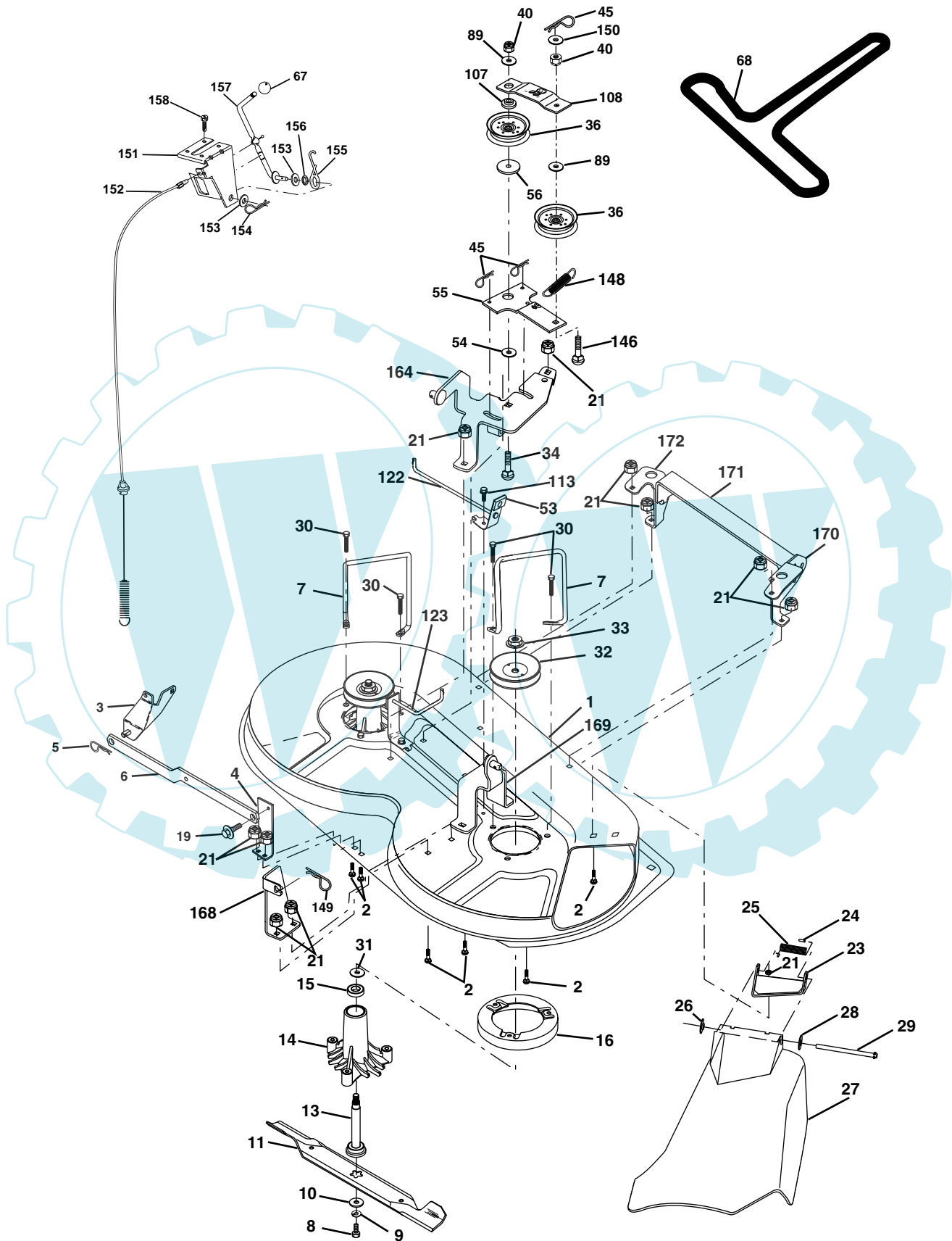


KEY NO.	PART NO.	DESCRIPTION
1	532 15 94-60	Wire Asm Inner W/Plunger
2	532 15 94-71	Shaft Asm Lift
3	532 10 57-67	Pin Groove
4	812 00 00-02	E Ring #5133-62
5	819 21 16-21	Washer PLTD 21/32 x 1 x 21Ga
6	532 12 01-83	Bearing Nylon Blk 629 Id
7	532 10 94-13	Grip Handle Bicycle Matte Blk
8	532 12 45-26	Button Plunger Black
11	532 13 98-65	Link Lift LH
12	532 13 98-66	Link Lift RH
13	532 12 46-70	Retainer Spring
15	532 17 32-88	Link Front
16	873 35 08-00	Nut Jam Hex 1/2-13 Unc
17	532 17 56-89	Trunnion
18	873 80 08-00	Nut Lock W/Wsh 1/2-13 Unc
19	532 13 98-68	Arm Suspension Rear
20	532 16 35-52	Retainer Spring
31	532 16 98-65	Bearing Pvt Lift
32	873 54 06-00	Nut Crownlock 3/8-24

NOTE: All component dimensions given in U.S. inches
1 inch = 25.4 mm

REPAIR PARTS

TRACTOR- -MODEL NO. 11-92 (P1192A) PRODUCT NO. 964 77 69-00
MOWER



REPAIR PARTS

TRACTOR- -MODEL NO. 11-92 (P1192A) PRODUCT NO. 964 77 69-00
MOWER

KEY NO.	PART NO.	DESCRIPTION	KEY NO.	PART NO.	DESCRIPTION
1	532 17 45-95	Mower Deck Assembly	56	532 16 57-23	Spacer, Retainer
2	872 14 05-06	Bolt	67	532 10 69-32	Knob RD 3/8-16 Plstc Thd
3	532 13 80-17	Bracket Assembly,Sway Bar	68	532 18 02-13	Belt
4	532 17 56-54	Bracket Sway Bar	89	819 13 16-12	Washer 13/32 x 1 x 12 Ga
5	532 12 46-70	Retainer Spring	107	532 13 35-02	Spacer, Retainer
6	532 17 80-24	Bar Sway Deck	108	532 13 35-03	Stiffener, Idler Arm
7	532 14 06-08	Keeper Belt	113	817 49 05-08	Screw Thdrol 5/16-18 x 1/2
8	532 85 08-57	Bolt, Hex 3/8-24 x 1.25 Gr. 8	122	532 17 45-05	Rod, Brake, LH
9	810 03 06-00	Washer, Lock Hvy Hlcl 3/8	123	532 17 45-04	Rod, Brake, RH
10	532 14 02-96	Washer,Hardened	146	532 16 58-91	Bolt Carriage Idler
11	532 13 84-96	Blade, Mower	148	532 16 90-22	Spring Return Idler
13	532 13 76-45	Shaft Assembly, Mandrel, Vented	149	532 16 58-98	Retainer Spring Yellow Zinc
14	532 12 87-74	Housing, Mandrel, Vented	150	819 09 12-16	Washer 9/32 x 3/4 x 16 Ga.
15	532 11 04-85	Bearing, Ball, Mandrel	151	532 16 96-70	Bracket Clutch
16	532 17 44-93	Stripper, Mower Deck	152	532 17 60-79	Cable Clutch
19	532 13 28-27	Bolt, Shoulder	153	532 16 96-74	Washer Flat 3/8" Type B
21	873 68 05-00	Nut Crownlock 5/16-18	154	532 16 96-75	Spring Retainer
23	532 13 66-31	Bracket, Mower Deflector	155	532 16 96-71	Spring Retention Lever
24	532 10 53-04	Cap, Sleeve	156	532 16 96-72	Spacer
25	532 12 37-13	Spring, Torsion, Deflector	157	532 16 96-69	Rod Clutch
26	532 11 04-52	Nut, Push	158	817 72 04-08	Screw Hex Thd Cut 1/4-20 x 1/2
27	532 17 61-62	Shield, Deflector	164	532 17 49-76	Bracket Asm Idler Support
28	819 11 10-16	Washer 11/32 x 5/8 x 16 Ga.	168	532 17 23-77	Bracket Deck Cable
29	532 12 19-80	Rod, Hinge	169	532 17 49-77	Bracket Asm Suspension
30	532 17 39-84	Screw Thdrol	170	532 17 23-59	Bracket Suspension RF
31	532 12 99-63	Washer, Spacer	171	532 16 52-37	Brace Support Susp. Frt
32	532 15 35-31	Pulley, Mandrel	172	532 17 23-55	Bracket Suspension LF
33	532 17 83-42	Nut, Toplock, Flanged	--	532 13 07-94	Mandrel Assembly (Includes Housing, Shaft and Shaft Hardware Only - Pulley Not Included)
34	872 11 06-14	Bolt Rdhd 3/8-16 x 1-3/4	--	532 18 13-76	ReplacementMower,Complete
36	532 13 14-94	Pulley, Idler, Flat			
40	873 68 06-00	Nut Crownlock 3/8-16			
45	532 12 47-88	Retainer, Spring			
53	532 13 08-40	Brake Assembly			
54	532 17 85-15	Washer,Hardened			
55	532 13 38-40	Idler Arm Assembly			

NOTE: All component dimensions given in U.S. inches
1 inch = 25.4 mm